

Smart Energy Center



Higher Revenue

Max. efficiency 98.6%



Simple & Easy

17 kg
Optimized AC connector



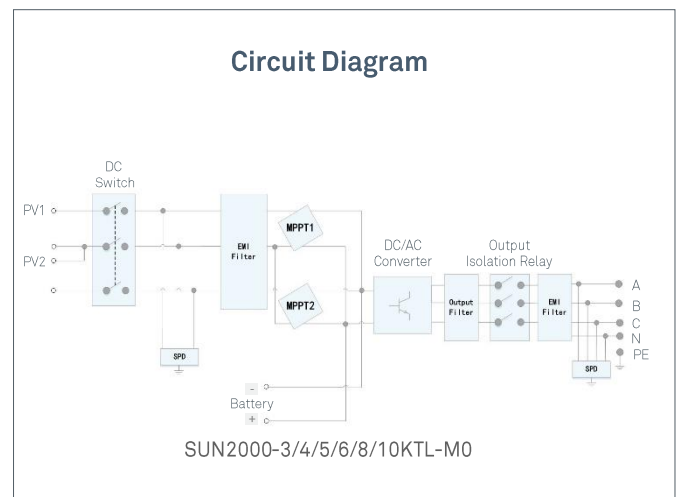
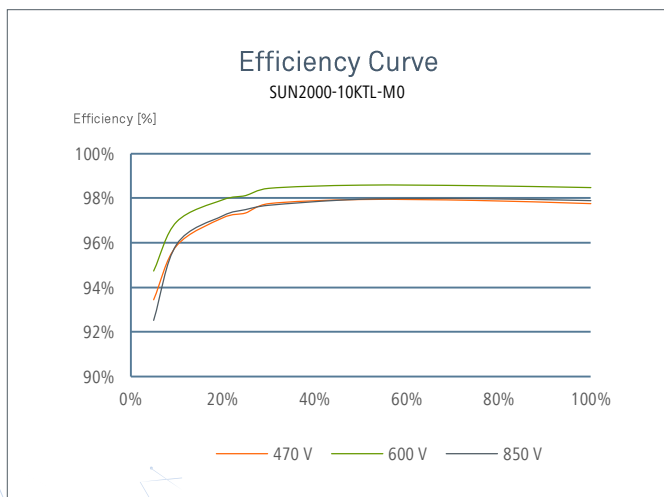
Battery Ready

Plug & Play battery interface



Safe & Reliable

IP65



SUN2000-3/4/5/6/8/10KTL-M0
Technical Parameter

Technical Specification	SUN2000 -3KTL-M0	SUN2000 -4KTL-M0	SUN2000 -5KTL-M0	SUN2000 -6KTL-M0	SUN2000 -8KTL-M0	SUN2000 -10KTL-M0
-------------------------	---------------------	---------------------	---------------------	---------------------	---------------------	----------------------

Efficiency

Max. efficiency	98.2%	98.3%	98.4%	98.6%	98.6%	98.6%
European weighted efficiency	96.7%	97.1%	97.5%	97.7%	98.0%	98.1%

Input

Recommended max. PV power	6,150 Wp	8,200 Wp	10,250 Wp	12,300 Wp	14,880 Wp	14,880 Wp
Max. input voltage	1,100 V					
Operating voltage range	140 V ~ 980 V					
Start-up voltage	200 V					
Full power MPPT voltage range	140 V ~ 850 V	190 V ~ 850 V	240 V ~ 850 V	285 V ~ 850 V	380 V ~ 850 V	470 V ~ 850 V
Rated input voltage	600 V					
Max. input current per MPPT	11 A					
Max. short-circuit current	15 A					
Number of MPPT trackers	2					
Max. number of inputs	2					

Output

Grid connection	Three-phase					
	Rated output power	3,000 W	4,000 W	5,000 W	6,000 W	8,000 W
Max. apparent power	3,300 VA	4,400 VA	5,500 VA	6,600 VA	8,800 VA	11,000 VA ¹
Rated output voltage	220 Vac / 380 Vac, 230 Vac / 400 Vac, 3W / N+PE					
Rated AC grid frequency	50 Hz / 60 Hz					
Max. output current	5.1 A	6.8 A	8.5 A	10.1 A	13.5 A	16.9 A
Adjustable power factor	0.8 leading ... 0.8 lagging					
Max. total harmonic distortion	≤ 3 %					

Protections

Input-side disconnection device	Yes
Anti-Islanding protection	Yes
DC reverse polarity protection	Yes
Insulation monitoring	Yes
DC lightning protection	Yes
AC lightning protection	Yes
Residual current monitoring	Yes
AC overcurrent protection	Yes
AC short-circuit protection	Yes
AC overvoltage protection	Yes
Over-heat protection	Yes

Features

String fault detection	Yes
Grid monitoring	Yes
Ripple receiver control	Yes
AFCl	Yes
Integrated PID recovery	Yes ²

General Data

Operating temperature range	-25 ~ + 60 °C (-13 °F ~ 140 °F) (Derating above 45 °C @ Rated output power)
Relative operating humidity	0 %RH ~ 100 %RH
Operating altitude	0 - 4,000 m (13,123 ft.) (Derating above 3000 m)
Cooling	Natural convection
Display	LED Indicators; Integrated WLAN + FusionSolarApp
Communication	RS485; WLAN via Smart Dongle-WLAN; 4G / 3G / 2G via Smart Dongle-4G
Weight (incl. mounting bracket)	17 kg (37.5 lb)
Dimension (incl. mounting bracket)	525 * 470 * 166 mm (20.7 * 18.5 * 6.5 inch)
Degree of protection	IP65

Battery Compatibility

Battery Interface	Integrated
-------------------	------------

Standard Compliance (more available upon request)

Certificate	EN/IEC 62109-1, EN/IEC 62109-2, IEC 62116
Grid code	IEC 61727, VDE-AR-N-4105, VDE-0126-1-1, CEI 0-21, C10/C11, AS/NZS 4777, UTE15-712-1

¹VDE-AR-N-4105:10,000 VA; C10 / 14: 10,000 VA

²SUN2000-3-10KTL-M0 raises potential between PV- and ground to above zero through integrated PID recovery function to recover module degradation from PID. Supported module types include: P-type (mono, poly), N-type (nPERT, HIT)

The text and figures reflect the current technical state at the time of printing. Subject to technical changes. Errors and omissions excepted. Huawei assumes no liability for mistakes or printing errors. For more information, please visit solar.huawei.com. Version No.:01-(20190220)